

U = 230 V / 400 V

Multiphase test connector with optical display for three-phase AC motor cables



## Features

- Measuring parameters: star or delta connection, phase connection, rotating field
- Rated voltage: 230/400 V AC
- Gauge according to standard: DIN EN 61010-1
- Mating cycles:  $\geq 500$
- Size of housing/hood: Han® 10 B
- Interface: Han® 10 E
- Commodity code: 9030 33 10
- DESINA compliant

## Description



### DANGER!

Danger of life due to electric shock. The multiphase test connector is incapable of displaying the absence of power. One phase may conduct current, even though this is not displayed. For displaying phases L1, L2 or L3, at least two phases must be live!



State	Colour
Star circuit	white
Delta circuit	white
Phase L1	orange
Phase L2	orange
Phase L3	orange
Clockwise rotating field	green
Counter-clockwise rotating field	red

Pin	Assignment
PIN 1	L1 (U1)
PIN 2	L2 (V1)
PIN 3	L3 (W1)
PIN 4	n.c.
PIN 5	n.c.

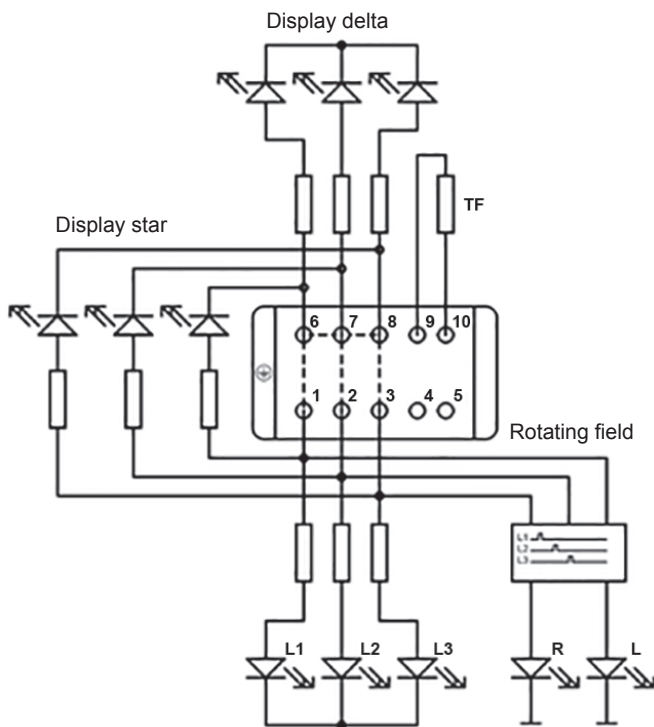
Pin	Assignment
PIN 6	W2
PIN 7	U2
PIN 8	V2
PIN 9	TF
PIN 10	TF

All data are given in line with the actual state of art and are therefore not binding. HARTING reserves the right to modify designs without giving the relevant reasons.

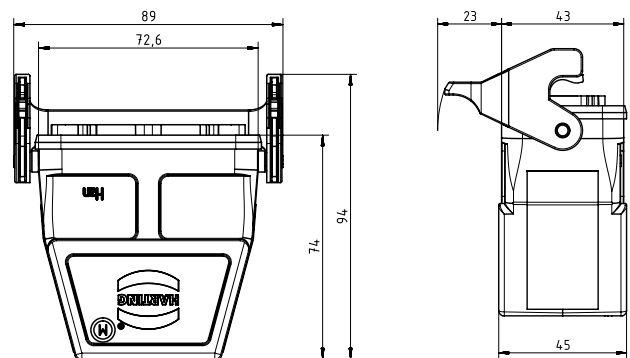
## Specifications

Nominal voltage	230/400 V AC
Power consumption (per phase)	0.025 A
Power consumption (total)	0.075 A
Housing	hood Han 10 B
Material	die-cast aluminium
Dimensions (LxWxH)	73 x 43 x 74 mm
Surface	glass bead blasted
Locking	single lever
Contact insert	Han® 10 E-M
Contacts	Han E®, silver plated
Weight	approx. 0.4 kg
Display	LED
Mating cycles	≥ 500
Protection level	IP54
Temperature range	0 °C up to +50 °C
Overvoltage category	III (according to DIN EN 60664-1)
Level of pollution	2 (according to DIN EN 60664-1)

## Wiring diagram



## Dimensions



## Accessories

**Part of delivery:**  
 Protection cover: 09 30 010 5412  
 Bag: 61 06 000 2065

**Accompanying documents:**  
<https://b2b.harting.com/ebusiness/en/6112201001000>  
 or:

